

# LED ESPL4-1150e

Part #: EFSPL4/B/42W/4500/105D/50K/PLUG/E Linear Class: Suspended 4ft. 2 Lamp

## Product Description

**LED ESPL4-1150e** delivers superior brightness, valuable energy savings and long lasting performance. This LED Shop Light is ideal for task lighting due to its uniform \*cool white light (5000K) and replaces 75 Watt lamps. Enjoy features such as: instant on, shatter resistance, mercury free and connectivity with up to 10 other lamps.



**Estimated Energy Cost:** \$5.05 per year

\*Note: Design, features and specifications subject to change without notice. Some features may not be available on all models.







### Linkable

Connect up to 10 lights!  
Hanging chain & linking hardware are included.

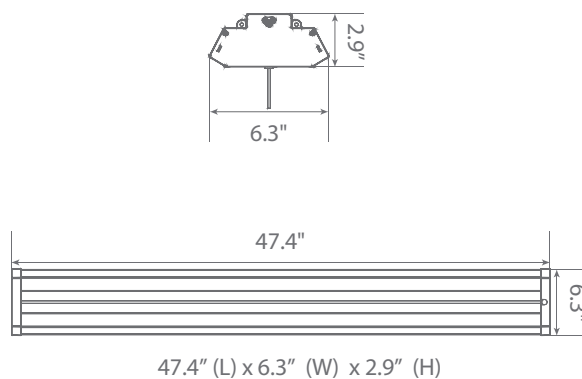
## Specifications

Input Power	Input Voltage	Lumen Output	Beam Angle	Center Beam	CCT
42 W	120 V / 60 Hz	4500 lm	105°	N/A	5000 K
CRI	Luminous Efficacy	Power Factor	Input Current	Base/Cap	Lamp Lifespan
80	95.2 lm/W	0.9	0.3 A	Plug-in	25,000 Hrs.

### Product Features

-  Non-Dimmable
-  Instant-On/Off
-  Mercury Free
-  Damp Rated

### Product Dimensions



### Product Photometric Data

