

# MR16 7W 50 WE

PROJECT:

TYPE:

CATALOG NAME:

NOTICE:



### ADVANTAGES

- Universal compatible with all existing transformers.
- Smooth & precise beam control.
- 50W equivalent halogen performance.
- CBCP matches standard halogen lamps.
- Mercury Free.
- Life warranty-25,000hrs at L70.

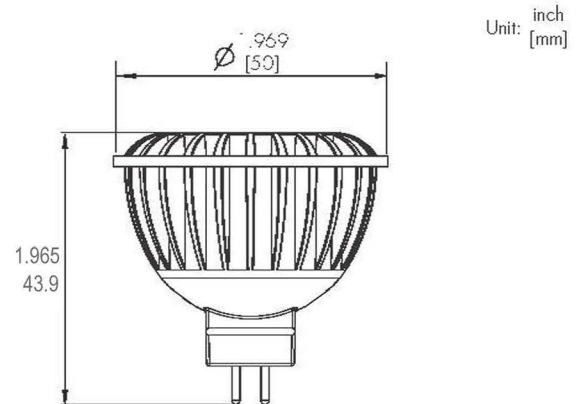


## MR16 - 7W

### FEATURES

<b>Product</b>	MR16 Bulb
<b>Wattage</b>	7 W
<b>Wattage Equivalency</b>	50 Watt Equivalent
<b>Life Time*</b>	25,000hrs
<b>Housing</b>	Thermally Conductive Plastic
<b>Socket</b>	GU5.3
<b>Operating Temperature</b>	-4°F to +104°F ( -20°C to +40°C )
<b>Weight</b>	2.01 oz, 57g
<b>Power Factor</b>	>0.92
<b>Warranty</b>	3 year limited
<b>Voltage</b>	12 v

\*Values are nominal. Based on usage and environment



### ORDERING INFORMATION

Product	Wattage	Color Temperature	Lumens	CRI	Beam Angle	Dimmable
SI-XMR16GU53N07/SXS070D12-	7W	2700K Warm White	500	80	25°	No
SI-XMR16GU53N07/SXS070D12-	7W	2700K Warm White	500	80	36°	No
SI-XMR16GU53N07/SXS070D12-	7W	3000K Soft White	500	80	25°	No
SI-XMR16GU53N07/SXS070D12-	7W	3000K Soft White	500	80	36°	No



Residential



School



Office



Gallery



Mall



[www.ecadsledlighting.com](http://www.ecadsledlighting.com)



Phone: (626)357-0500 Fax: (626)357-0079 Email: [info@ecads-na.com](mailto:info@ecads-na.com)

911 S, Primrose Ave. Suite I. Monrovia, CA 91016